

For use on lathes, rotary tables, indexing heads, etc.  
Hard solid jaws.

Standard accessories:

- 1 set of outside hard solid jaws
- 1 set of inside hard solid jaws
- 1 wrench
- 1 set of mounting screws.

Optional accessories:

- 1 set of hard master jaws
- 1 set of soft solid jaws
- 1 set of soft 2-piece jaws (hard master+top soft jaw)

三爪自定心卡盘适用于车床，分度头等。

标准配件：

- 一套正爪
- 一套反爪
- 一个扳手
- 一套安装螺丝

可选配件：

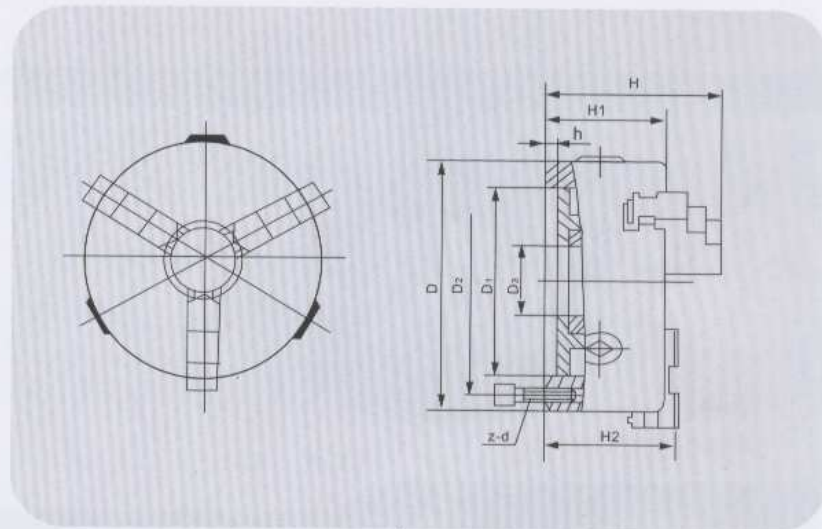
- 一套滑座
- 一套整体软爪
- 一套分离软爪（滑座+软上爪）

## K11 SERIES 3-JAW SELF-CENTERING CHUCKS K11 系列三爪自定心卡盘

FUEROA



前锁  
Front Mounting



### 规格表 SPECIFICATIONS

单位/UNIT: mm

卡盘尺寸 Chuck Size	D1	D2	D3	H	H1	h	z-d	最大输入扭矩NM Max.input torque	极限转速R.P.M Max.speed	净重Kg Net wt.	Code No.
80	55	66	16	66.5	50	4	3-M6	40	4000	1.9	K11-80
100	72	84	22	74.5	55	3	3-M8	60	3500	3.2	K11-100
125	95	108	30	84.5	58	4	3-M8	100	3000	5.0	K11-125
130	100	115	30	86.5	60	5	3-M8	100	3000	5.6	K11-130
160	130	142	45	94	65	5	3-M8	160	2500	8.8	K11-160
165	130	145	45	94	65	5	3-M8	160	2500	9.5	K11-165
190	155	172	55	105	75	5	3-M10	250	2000	13.8	K11-190
200	165	180	65	109	75	5	3-M10	250	2000	15.5	K11-200
230	190	210	70	120	80	6	3-M12	250	1600	24	K11-230
240	195	215	70	120	80	8	3-M12	320	1600	26	K11-240
250	206	226	80	120	80	5	3-M12	320	1600	27.5	K11-250
315	260	285	100	147.5	90	6	3-M16	400	1200	47.0	K11-315
320	270	290	100	147.5	90	6	3-M16	400	1200	47.5	K11-320
325	272	296	100	147.5	90	6	3-M16	400	1200	49.0	K11-325
380	325	350	130	173.5	100	6	3-M16	500	1000	68.0	K11-380
400	340	368	130	173.5	100	6	3-M16	500	1000	73.0	K11-400
500	440	465	210	202	115	6	6-M16	630	800	121	K11-500