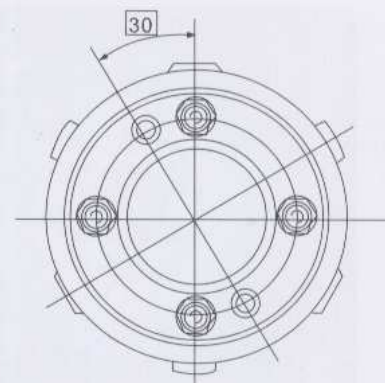
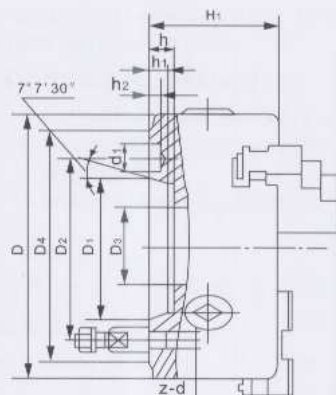


C型：拔盘、螺栓锁紧连接

Form C Mounting With Studs and Locknuts



K11 SERIES DIRECT MOUNTING
3-JAW SELF-CENTERING CHUCKS

FUERDA

K11□/□系列短锥三爪自定心卡盘

规格表 SPECIFICATIONS

单位/UNIT: mm

Code No.	D	D1	D2	D3	D4	H1	h	h1	h2	d1	z-d	净重Kg Net wt.
K11-125/C3	125	53.975	75	25	102	63	13	10	—	—	3-M10	6
K11-125/C4	125	63.513	85	25	112	63	13	10	6.5	14.7	3-M10	6
K11-160/C3 K11-160A/C3	160	53.975	75	40	102	76	13	10	—	—	3-M10	10
K11-160/C4 K11-160A/C4	160	63.513	85	40	112	70	13	10	6.5	14.7	3-M10	10
K11-160/C5 K11-160A/C5	160	82.563	104.8	40	135	73	15	12	6.5	16.3	4-M10	10
K11-200/C4	200	63.513	85	50	112	84	13	10	6.5	14.7	3-M10	17
K11-200C/C4 K11-200A/C4	200	63.513	85	50	112	84	13	10	6.5	14.7	3-M10	17
K11-200/C5	200	82.563	104.8	50	135	84	15	12	6.5	16.3	4-M10	17
K11-200C/C5 K11-200A/C5	200	82.563	104.8	50	135	84	15	12	6.5	16.3	4-M10	17
K11-200/C6	200	106.375	133.4	50	170	84	16	13	6.5	19.5	4-M12	17
K11-200C/C6 K11-200A/C6	200	106.375	133.4	50	170	84	16	13	6.5	19.5	4-M12	17
K11-250/C5	250	82.563	104.8	70	135	95	15	12	6.5	16.3	4-M10	30
K11-250C/C5 K11-250A/C5	250	82.563	104.8	70	135	95	15	12	6.5	16.3	4-M10	30
K11-250/C6	250	106.375	133.4	70	170	95	16	13	6.5	19.5	4-M12	30
K11-250C/C6 K11-250A/C6	250	106.375	133.4	70	170	95	16	13	6.5	19.5	4-M12	30
K11-250/C8	250	139.719	171.4	80	220	95	18	14	8	24.2	4-M16	30
K11-250C/C8 K11-250A/C8	250	139.719	171.4	80	220	95	18	14	8	24.2	4-M16	30
K11-315/C6	315	106.375	133.4	100	170	103.5	16	13	6.5	19.5	4-M12	53
K11-315C/C6 K11-315A/C6	315	106.375	133.4	100	170	103.5	16	13	6.5	19.5	4-M12	53
K11-315/C8	315	139.719	171.4	100	220	106	18	14	8	24.2	4-M16	53
K11-315C/C8 K11-315A/C8	315	139.719	171.4	100	220	106	18	14	8	24.2	4-M16	53
K11-315/C11	315	196.869	235	100	290	106	20	16	10	29.4	6-M20	53
K11-315C/C11 K11-315A/C11	315	196.869	235	100	290	106	20	16	10	29.4	6-M20	53
K11-320/C6	320	106.375	133.4	100	170	103.5	16	13	6.5	19.5	4-M12	53
K11-320C/C6 K11-320A/C6	320	106.375	133.4	100	170	103.5	16	13	6.5	19.5	4-M12	53
K11-320/C8	320	139.719	171.4	100	220	106	18	14	8	24.2	4-M16	53
K11-320C/C8 K11-320A/C8	320	139.719	171.4	100	220	106	18	14	8	24.2	4-M16	53
K11-320/C11	320	196.869	235	100	290	106	20	16	10	29.4	6-M20	53
K11-320C/C11 K11-320A/C11	320	196.869	235	100	290	106	20	16	10	29.4	6-M20	53
K11-325/C6	325	106.375	133.4	100	170	103.5	16	13	6.5	19.5	4-M12	53
K11-325C/C6 K11-325A/C6	325	106.375	133.4	100	170	103.5	16	13	6.5	19.5	4-M12	53
K11-325/C8	325	139.719	171.4	100	220	106	18	14	8	24.2	4-M16	53
K11-325C/C8 K11-325A/C8	325	139.719	171.4	100	220	106	18	14	8	24.2	4-M16	53
K11-325/C11	325	196.869	235	100	290	106	20	16	10	29.4	6-M20	53
K11-325C/C11 K11-325A/C11	325	196.869	235	100	290	106	20	16	10	29.4	6-M20	53
K11-380/C8	380	139.719	171.4	130	220	118	18	14	8	24.2	4-M16	79
K11-380C/C8 K11-380A/C8	380	139.719	171.4	130	220	118	18	14	8	24.2	4-M16	79
K11-380/C11	380	196.869	235	135	290	118	20	16	10	29.4	6-M20	79
K11-380C/C11 K11-380A/C11	380	196.869	235	135	290	118	20	16	10	29.4	6-M20	79
K11-400/C8	400	139.719	171.4	130	220	118	18	14	8	24.2	4-M16	79
K11-400C/C8 K11-400A/C8	400	139.719	171.4	130	220	118	18	14	8	24.2	4-M16	79
K11-400/C11	400	196.869	235	135	290	118	20	16	10	29.4	6-M20	79
K11-400C/C11 K11-400A/C11	400	196.869	235	135	290	118	20	16	10	29.4	6-M20	79
K11-500/C11 K11-500A/C11	500	196.869	235	190	290	135	20	16	10	29.4	6-M20	159
K11-500/C15 K11-500A/C15	500	285.775	330.2	210	400	135	21	17	10	35.7	6-M24	159
K11-630/C11 K11-630A/C11	630	196.869	235	252	290	135	20	16	10	29.4	6-M20	230