



Used when high accuracy of machining is needed.
For use on lathes, rotary tables, indexing heads, etc.
Hard reversible jaws

Standard accessories:

- 1 set of hard sectional jaws (master+hard top reversible)
- 1 wrench
- 1 set of mounting screws.

Optional accessories:

- 1 set of soft top jaws
- 1 set of outside hard solid jaws
- 1 set of inside hard solid jaws

四爪自定心卡盘用于高精度的加工过程。

标准配件:

- 一套分离爪
- 一个扳手
- 一套安装螺丝

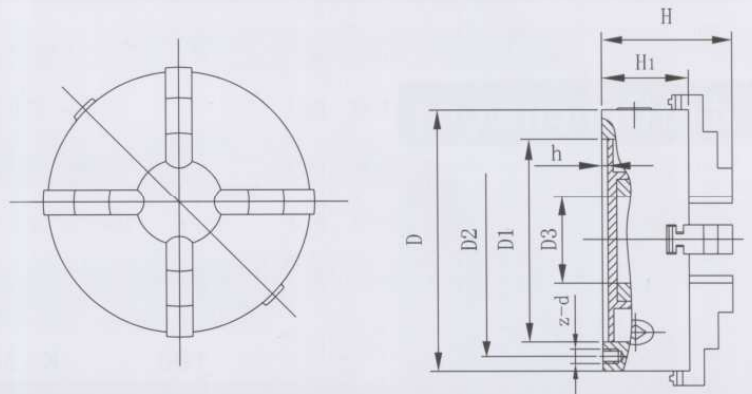
可选配件:

- 一套软上爪
- 一套正爪
- 一套反爪

K12 SERIES 4-JAW SELF-CENTERING CHUCKS (2- PICES JAW)

K12系列四爪自定心卡盘

K12短锥系列其连接尺寸同K110/0三爪短锥系列。
K12 short taper series have the same mounting dimensions
as K110/0 three-jaw short taper series.



规格表 SPECIFICATIONS

单位/UNIT: mm

卡盘尺寸 D Chuck Size	D1	D2	D3	H	H1	h	z-d	净重Kg Net wt.	Code No.
125	95	108	30	95	58	4	3-M8	5	K12-125A
130	100	115	30	97	60	5	3-M8	5.6	K12-130A
160	130	142	45	109	65	5	3-M8	8.8	K12-160A
165	130	145	45	109	65	5	3-M8	9.8	K12-165A
190	155	172	55	122	75	5	3-M10	13.8	K12-190A
200	165	180	65	122	75	5	3-M10	15.5	K12-200A
240	195	215	70	136	80	8	3-M12	25	K12-240A
250	206	226	80	136	80	5	3-M12	26	K12-250A
315	260	285	100	156.5	90	6	3-M16	50	K12-315A
320	270	290	100	156.5	90	6	3-M16	53	K12-320A
325	272	296	100	156.5	90	6	3-M16	66	K12-325A
380	325	350	130	173.5	100	6	3-M16	82	K12-380A
400	340	368	130	173.5	100	6	3-M16	85	K12-400A
500	440	465	210	202	115	6	6-M16	119	K12-500A
630	545	586	252	220.5	135	6	6-M16	125	K12-630A