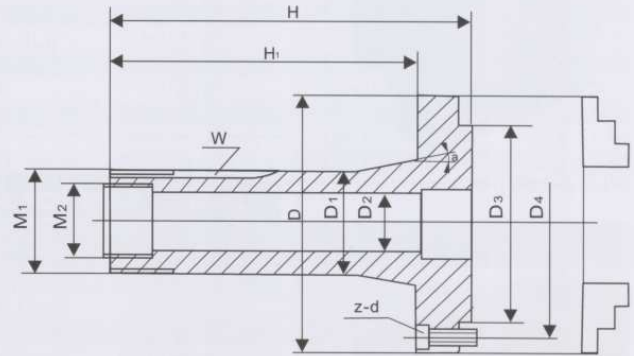
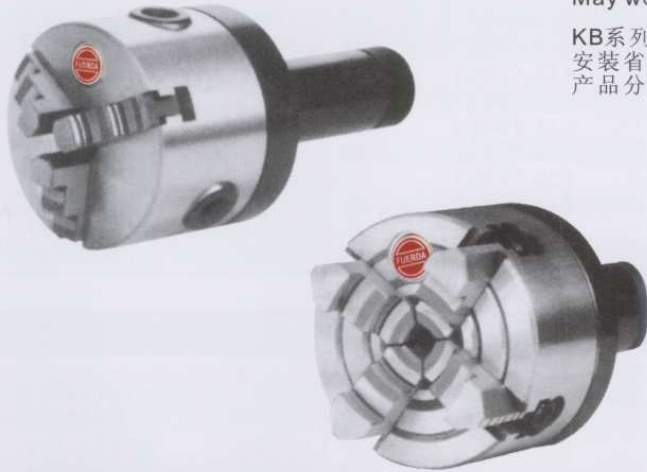


## KB SERIES LATHE CHUCKS WITH MORSE TAPER

### KB 系列锥柄卡盘

Designed for turning ,milling and grinding operations for simultaneously supporting and clamping long objects (tubes,shagts ect.) May work in horizontal and vertical position.

KB系列锥柄卡盘属于轻负荷卡盘，通过5C弹性夹头安装于机床上，安装省时，定心精度高，夹持范围广。产品分为两类KB11型（三爪自定心）和KB72型（四爪单动）



### 规格表 SPECIFICATIONS

单位/UNIT: mm

| Size | D   | D1     | D2    | D3 | D4 | a   | M1          | M2          | W                            | H   | H1    | Z-d  | Kg Net WT. | Code No. |
|------|-----|--------|-------|----|----|-----|-------------|-------------|------------------------------|-----|-------|------|------------|----------|
| 3"   | 80  | 31.737 | 19.45 | 55 | 66 | 10° | 1.238"-20NS | 1.042"-24NS | 3.175<br>Key groove<br>width | 105 | 86.12 | 3-M6 | 2.9        | KB11-3"  |
| 4"   | 100 | 31.737 | 19.45 | 72 | 84 | 10° | 1.238"-20NS | 1.042"-24NS |                              | 105 | 86.12 | 3-M8 | 4.6        | KB11-4"  |
| 3"   | 80  | 31.737 | 19.45 | 55 | 66 | 10° | 1.238"-20NS | 1.042"-24NS |                              | 105 | 86.12 | 4-M6 | 2.5        | KB11-3"  |
| 4"   | 100 | 31.737 | 19.45 | 72 | 84 | 10° | 1.238"-20NS | 1.042"-24NS |                              | 105 | 86.12 | 4-M8 | 3.1        | KB11-4"  |

## FK01 SERIES ROTARY & TILT TABLE CHUCKS

### FK01 系列可斜式分度卡盘

### 规格表 SPECIFICATIONS

单位/UNIT: mm

| 卡盘外径<br>Chuck Outer Dia. | 卡盘通孔<br>Through-hole Dia. | 中心高<br>Center Height | 卡盘轴线倾斜范围<br>Tilting Range | 卡盘回转刻度<br>Rotary Graduation | Code No.  |
|--------------------------|---------------------------|----------------------|---------------------------|-----------------------------|-----------|
| 110                      | 25                        | 70                   | 0° - 90°                  | 0° - 360°                   | FK01-110B |

- 专用于刻模铣床，也可用与普通机床。
- 功能为风度和两个方向的旋转。
- 适用于轴类、盘类、套类零件的刻线、刻字、划线及切削等项加工。
- The chucks are special attachments for engraving machine as well as the common accessories for general machine tool.
- The functions include indexing and rotating in two directions.
- Suitable for machining bar, plate, sleeve components for cutting and engraving.

