



MATCHLING

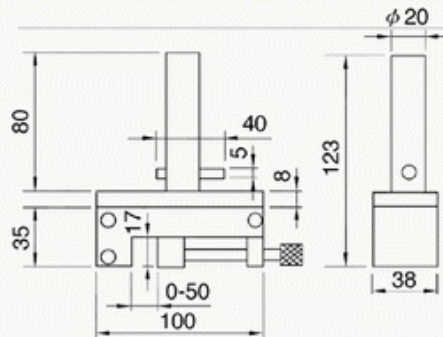
33003

ELECTRODE HOLDERS (STAINLESS STEEL)

• MCL - A10L



N.W. 1.2kg



- A10L can be used for holding different electrode in electrical discharge machine, possessing parallel and precise right angles. The stainless steel material can preserve rustproof and precision.

- Quality warranty
- Material : SUS440
- Hardness : HRC54* ~ 58*
- Parallelism within 0.003mm/100mm
- Squareness within 0.005mm/100mm

33004-10

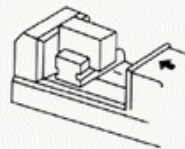
TOOL MAKER VISE (SMALL)

• MCL - V10



N.W. 0.3kg

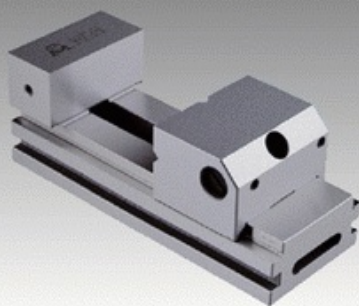
Tool makers vise of mini type which can be put in a bigger vise to process the small and precise workpiece. Also it can be used in an E.D.M. machine and grinding machine. Squareness and parallelism: within 0.003m/m



33005

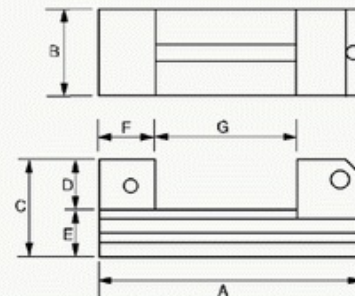
TOOL MAKERS VICE

• MCL - V15,20,25,30,40,50,60



Material SK2
 Parallelism Within 0.003mm/100mm
 Squareness Within 0.005mm/100mm

Harden treatment up to HRC 58*



Unit:mm

Order No.	Model	A	B	C	D	E	F	G	N.W
33005-15	MCL-V15	100	35	40	20	20	25	0- 35m/m	0.9kg
33005-20	MCL-V20	140	48	50	25	25	25	0- 75m/m	1.6kg
33005-25	MCL-V25	172	63	60	30	30	32	0- 90m/m	3.7kg
33005-30	MCL-V30	190	73	70	35	35	35	0-100m/m	4.6kg
33005-40	MCL-V40	230	98	80	40	40	40	0-125m/m	11.4kg
33005-50	MCL-V50	300	125	98	48	50	60	0-160m/m	18.5kg
33005-60	MCL-V60	350	150	100	50	50	60	0-210m/m	24.9kg