

Model :BS - 0, BS - 1

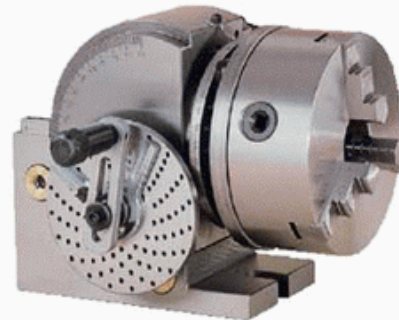
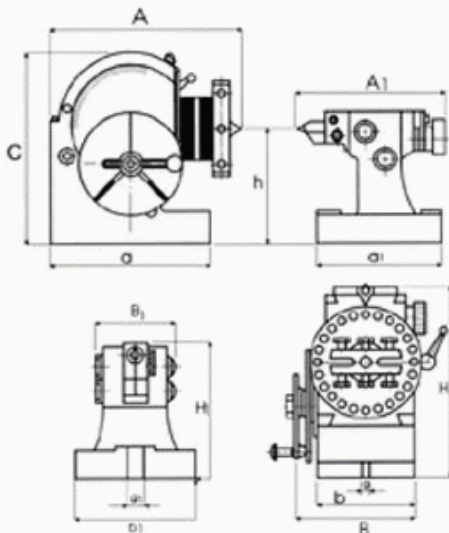
FEATURES :

Semi-Universal Index Center is a simplified type of Universal Index Center and can be used for direct and indirect dividing. No accessories for the differential dividing and spiral work are included, but the whole construction of the dividing head and tailstock are identical with those of the universal type.

The direct index plate of 24 holes allows the direct dividing in 2, 3, 4, 6, 8, 12 and 24 and three plates in the standard accessories make the indirect dividing possible in any number from 2 to 50 and in certain numbers up to 380.

REMARK :

Operation and Service Manual" followed with each of Dividing Head for reference.



OPTIONAL ACCESSORY :

- 3-Jaw Chuck
- 4" or 5" 3-Jaw Chuck for BS-0
- 5" or 6" 3-Jaw Chuck for BS-1

UNIVERSAL INDEX CENTER B & S NO.2 (HEAD STOCK)

Unit:mm

Order No.	Modle	A	B	C	h	a	b	g	Taper of Center	Diameter of Spindle hole	N.W. (kg)
36060-05	BS-0	189 77/36	140 532/64	173 613/16	100 315/16	160 519/64	97 37/64	13 33/64	B&S No.7	18	32
36060-15	BS-1	293 7311/32	156 63/64	220 821/32	128 53/64	207 85/32	114 41/64	16 5/8	B&S No.8	20	36

UNIVERSAL INDEX CENTER B & S NO.2 (TAIL STOCK)

Unit:mm

Modle	A1	B1	H1	h	a1	b1	g1	N.W. (kg)	Measurement m ³
BS-0	167 637/64	80 3 5/32	107.5 415/64	100 315/16	130 51/8	92 32/8	13 33/64	Packed with the Dividing Head	
BS-1	191 733/64	80 315/32	137 525/64	128 53/64	150 529/32	106 41/4	16 5/8	Packed with the Dividing Head	

STANDARD ACCESSORIES

Dividing plate A, B, C.

Numbers of holes of dividing plate (worm gear reduction ratio 1:40)

Numbers of hole.	Plate A	15	16	17	18	19	20
	Plate B	21	23	27	29	31	33
	Plate C	37	39	41	43	47	49