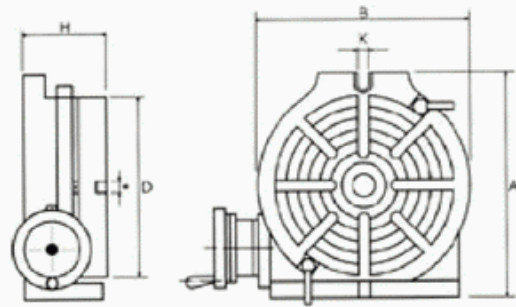
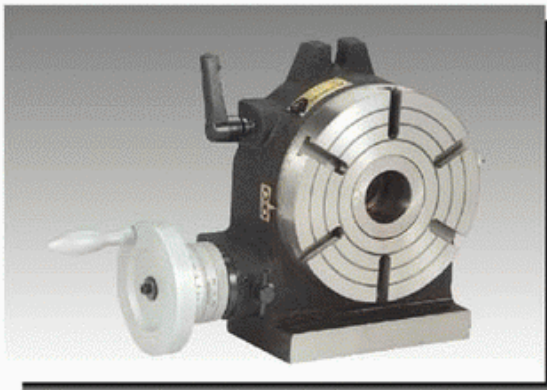


MATCHLING
36075

HORIZONTAL AND VERTICAL ROTARY TABLE

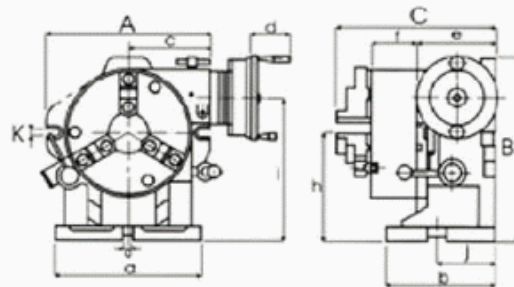


Unit:mm

Order No.	Model	Table		Base Diameter		Bolt Slots K	Center Sleeve	Worm Gear Ratio	N.W. (kg)
		D	H	A	B				
36075-15	HHV-150	150	78	220	160	15	MT-2	90:1	12.5
36075-20	HHV-200	200	110	310	225	17	MT-3	90:1	31
36075-25	HHV-250	250	110	320	280	17	MT-3	90:1	48.5
36075-30	HHV-300	300	140	410	325	17	MT-4	90:1	77
36075-35	HHV-350	350	140	460	380	17	MT-4	90:1	98
36075-40	HHV-400	400	150	510	435	17	MT-5	90:1	130

36080

SUPER INDEX SPACER



Unit:mm

Order No.	Model	Dividable Number	Chuck				Face plate	
			Outer Diameter	Inner Jaw	Outer Jaw	Inner Dia.	Outer Diameter	Thickness
36080-05	CS-6"	2,3,4,6	167	4-42	10-156	44	203	50
36080-15	CS-8"	8,12,,24	210	4-62	10-180	63	254	58

Unit:mm

Modle	A	B	C	a	b	c	d	e	f	g	h	i	J	K	N.W. (kg)
CS-6"	250	235	221	220	150	184	82	112	66	16	130	186	80	18	35
CS-8"	320	285	243	225	160	201	82	125	75	16	150	232	90	18	70