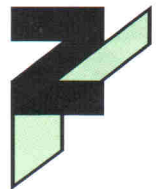


# Levelling Elements

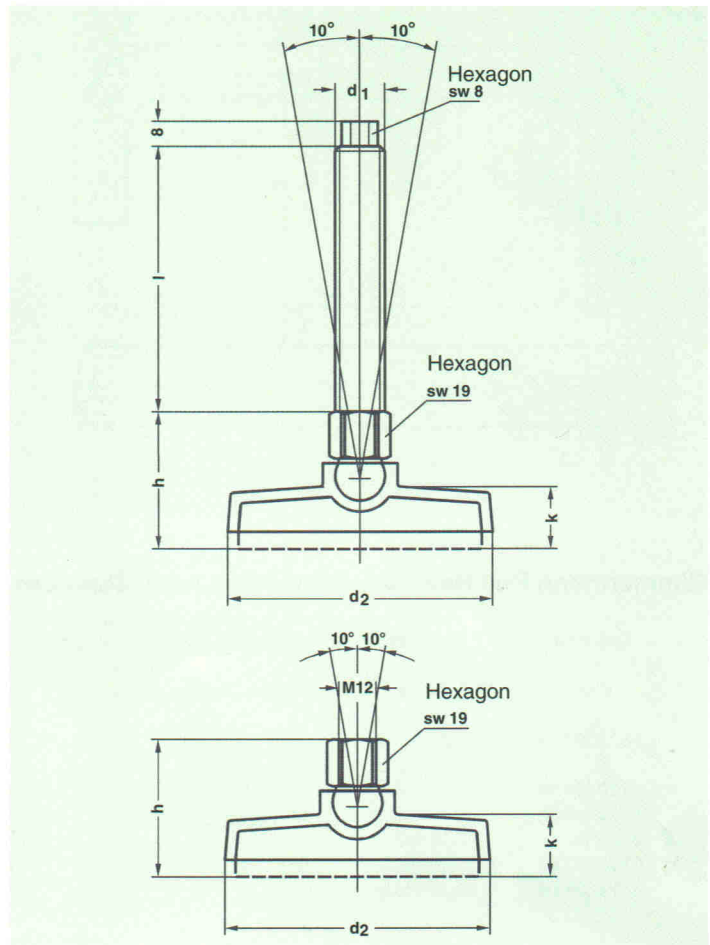
ZIMMERMANN



**Model:** Upper part of disk from reinforced polyamide, black RAL 9011. Bottom from no-slip rubber, white RAL 1015. Bottom structure stems vibration and avoids slipping of the disk. Ball-screw with hexagon from steel, zinc-plated resp. from stainless steel, material no. 1.4305.

**Resistant to:** cold (- 30° C), heat (+ 90° C), leaches, oils, greases, salt and soapy solutions, gas, ozone and weather.

Static load: 1000 kg.



## Zimmermann Levelling Elements

Order No. Steel	Order No. Stainless Steel	External Thread d <sub>1</sub>	Length of Screw l (mm)		Size d <sub>2</sub> mm	h mm	k mm
84 85 12 ...	84 85 12 ... E0A	M 12	85	135	85	44	20
84 85 16 ...	84 85 16 ... E0A	M 16	85	135	85	44	20

... Please indicate here the desired length of screw e.g. 085 for l = 85 mm.

Zimmermann Levelling Elements (without screw) with bush M12 from steel, zinc-plated:  
Order no. 84 85 GF.