

Disc Hand Wheels

from Aluminium
Modern Design

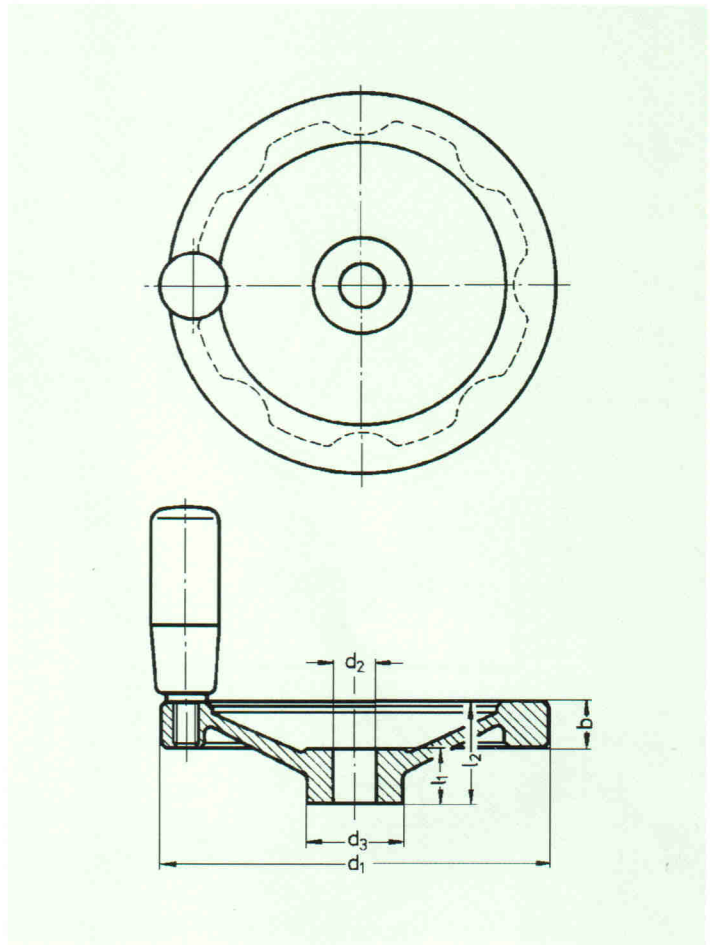


Model: Aluminium, gravity die-casting, hub machined. Rim of wheel turned and polished.

Type A: without grip.

Type D: with revolving grip from polyamide, black matt.

Complete plastic coated disc hand wheels are available on request.



Zimmermann Disc Hand Wheels modern design

Order No. Type A	Order No. Type D	d ₁ mm	Fitting Hole d ₂ H7	b mm	d ₃ mm	l ₁ mm	l ₂ ≈ mm	Ø Cyl. Grip
72 100 10 PBG . A	72 100 10 PBG . D	100	10	14	28	17	30	21
72 125 12 PBG . A	72 125 12 PBG . D	125	12	15	31	18	33	23
72 160 16 PBG . A	72 160 16 PBG . D	160	16	18	36	20	39	26
72 200 20 PBG . A	72 200 20 PBG . D	200	20	20,5	42	24	45	26
72 250 22 PBG . A	72 250 22 PBG . D	250	22	23	48	28	51	28

. Please indicate here: B = without Keyway; K = with Keyway.