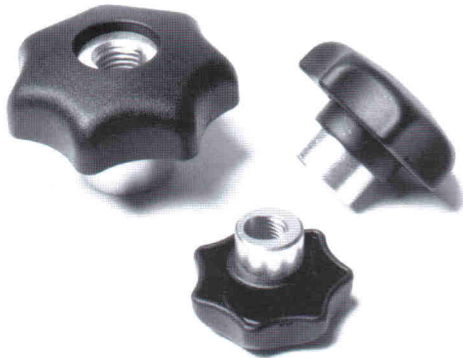
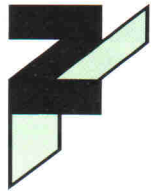


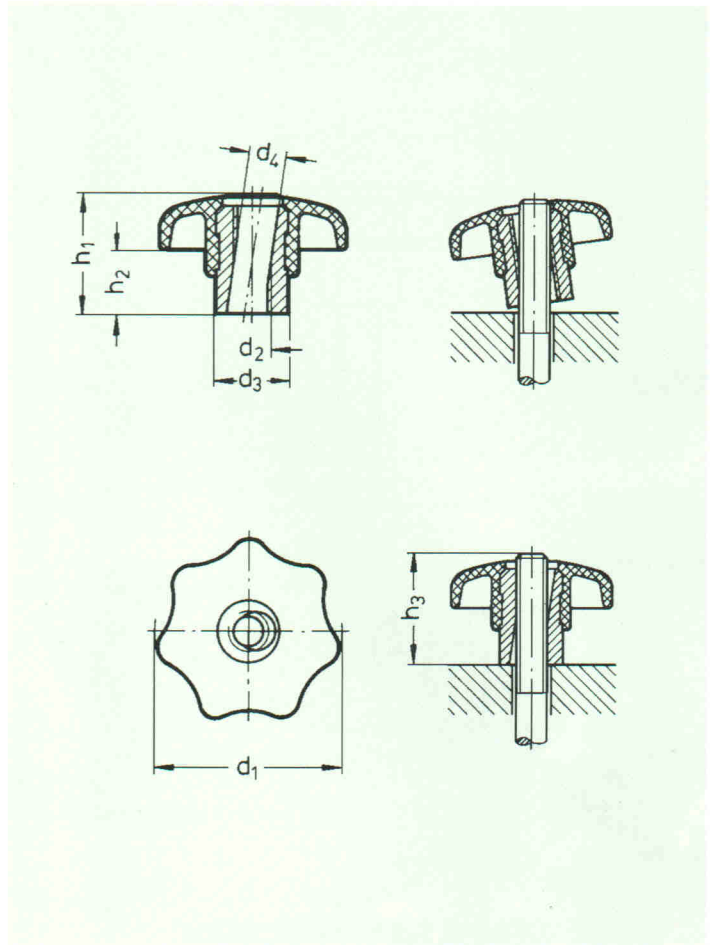
# Quick Acting Star Knobs

# ZIMMERMANN



Quick acting star knobs are used in such applications where the knob has to be completely removed after the releasing operation and refitted very rapidly for re-clamping. The knob is tilted over the threaded spindle. When in position, the knob is brought into a straight position for meshing of the two threads on nut and spindle. The knob will then have to be turned only by fraction of a rotation to achieve clamping. The use of this knob is, however, limited to such applications where relatively low clamping forces are required.

**Model:** Body from reinforced polyamide, black matt. Bush from steel, zinc-plated.



## Zimmermann Quick Acting Star Knobs

Order No.	Internal Thread $d_2$	Size $d_1$ mm	$d_4$ mm	$d_5$ mm	$h_1$ mm	$h_2$ ≈ mm	$h_3$ min. mm	Weight approx. g
25 40 08	M 8	40	8,4	16	26	13	24	31
25 50 10	M 10	50	10,5	20	34	17	30	61
25 63 12	M 12	63	13	26	42	21	37	130