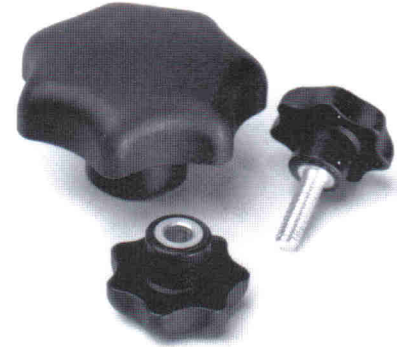
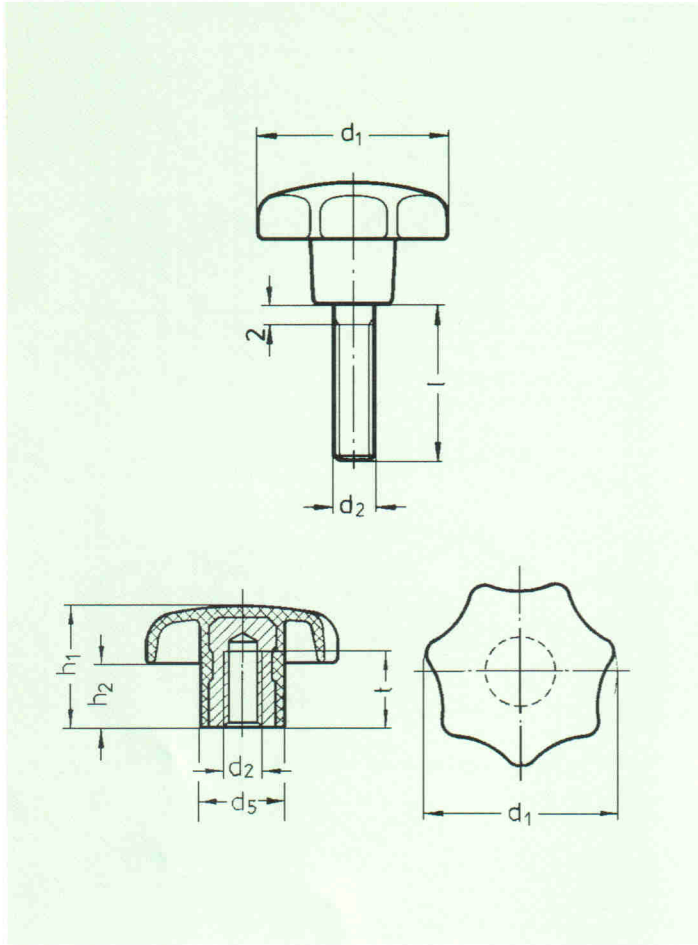




ZIMMERMANN

Star Knobs

similar to DIN 6336



Zimmermann Star Knobs for various applications and individual solutions. Zimmermann star knobs offer high flexibility and captivate by their modern design and nice surface finish.

Model: Body from reinforced polyamide, black matt. Bush resp. screw from steel, zinc-plated.

Star knobs with fitting hole H7 and star knobs from cast iron or aluminium are available on request.

Zimmermann Star Knobs similar to DIN 6336

Order No.	Internal Thread	t mm	Weight approx. g	Order No.	External Thread	Length of Screw l (mm)					Size d ₁ mm	d ₅ mm	h ₁ mm	h ₂ mm		
Internal Thread	d ₂			External Thread	d ₂											
24 25 04	M 4	7,5		24 25 05 ...	M 5	10	15	20	25	30		25	12	16	8	
24 25 05	M 5	8,5	5	24 25 06 ...	M 6	10	15	20	25	30						
24 25 06	M 6	9		24 32 05	M 5											
24 32 05	M 5	8,5		24 32 06 ...	M 6	11	16	21	26	31		32	14	20	10	
24 32 06	M 6	9	8	24 32 08 ...	M 8		15	20	25	30	40					
24 40 05	M 5	8,5	15													
24 40 06	M 6	9	16	24 40 08 ...	M 8		15	20	25	30	40	40	18	25	13	
24 40 08	M 8	14	17	24 50 08 ...	M 8		14	19	24	29	39					
24 50 08	M 8	14	31	24 50 10 ...	M 10			20		30	40	50	50	22	32	17
24 50 10	M 10	21	30													
24 63 10	M 10	23	85	24 63 12 ...	M 12											
24 63 12	M 12	23	82					25	30	40	60	63	26	40	21	

... Please indicate here the desired length of screw e.g. 025 for l = 25 mm.